

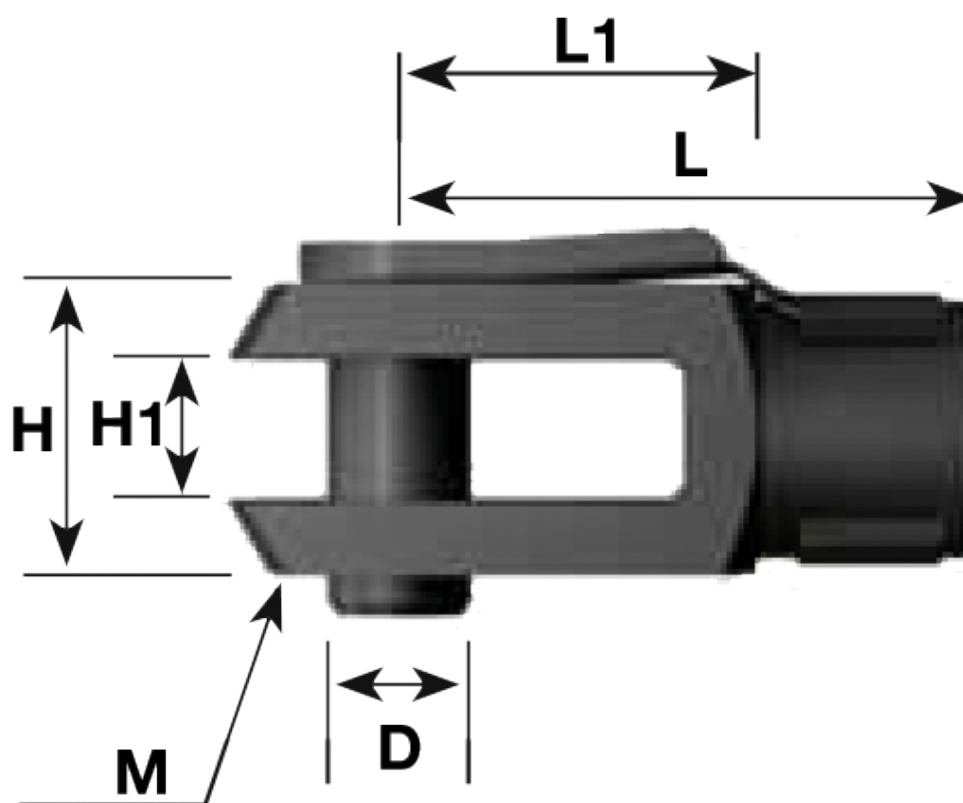
Data Sheet



Article number: 04101826

Description: Stabilus assembly, clevis with bolt
Type K3 for size 14/28

Measures



D = $\varnothing 10$
H = 20
H1 = 10
L = 40
L1 = 20
M = Metal